



# FRAMELESS CABINET SPECIFICATION GUIDE

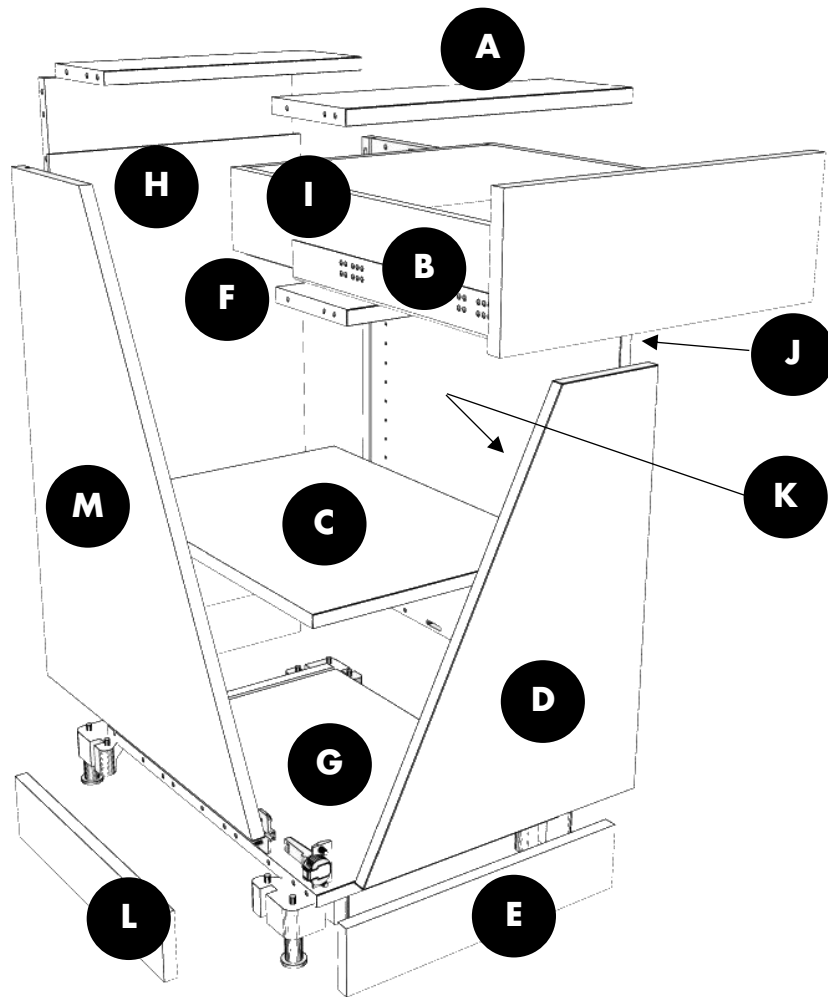


# The Line

The Seattle Products Frameless Cabinet line offers everything you would expect from traditional European Full-Access case construction, only our cases are built right here in the Pacific Northwest. With a Climate Positive philosophy our Frameless components are composite core and processed through powerful algorithmic nesting software to reduce waste and increase yield.



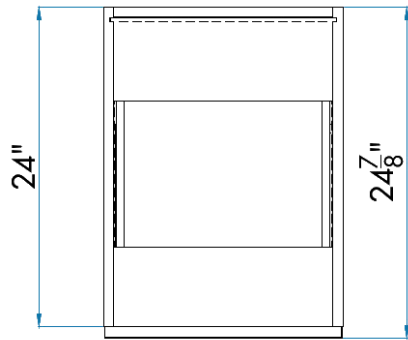
# FRAMELESS BASE CABINET



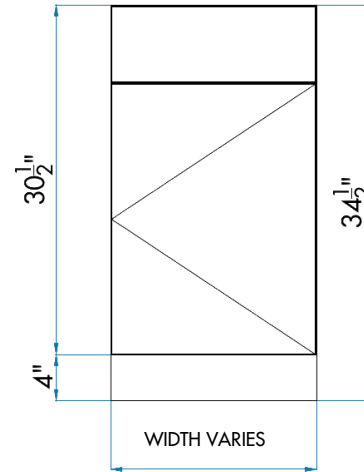
- A. 3/4" DOWELED TOP STRETCHER
- B. METAL BOX DRAWER CONSTRUCTION
- C. 3/4" FULL DEPTH ADJUSTABLE SHELF
- D. FULL OVERLAY DOORS
- E. 3/4" TOE KICK MATERIAL
- F. DOWELED RAIL JOINERY
- G. 3/4" BOTTOM PANEL
- H. 1/4" CAPTURED BACK
- I. 5/8" DRAWER BOTTOMS AND BACKS
- J. 1MM PVC COORDINATED WITH EXTERIOR FINISH
- K. BACK OF DOOR SURFACE DEPENDENT ON DOOR STYLE
- L. 3/4" TOE KICK MATERIAL PROVIDED FOR FINISHED ENDS
- M. 3/4" INTEGRATED FINISHED END

# BASE CABINET DIMENSIONS

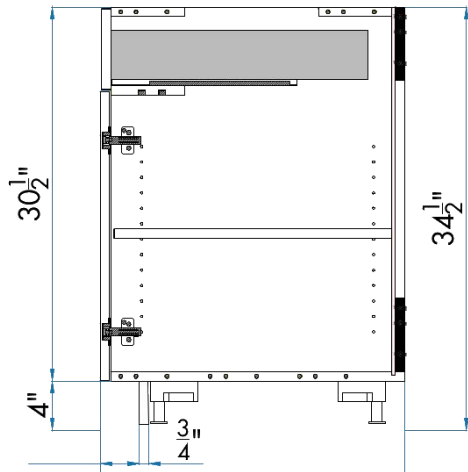
## TOP VIEW



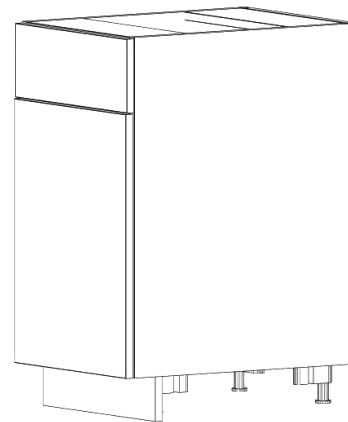
## FRONT VIEW



## SECTION VIEW

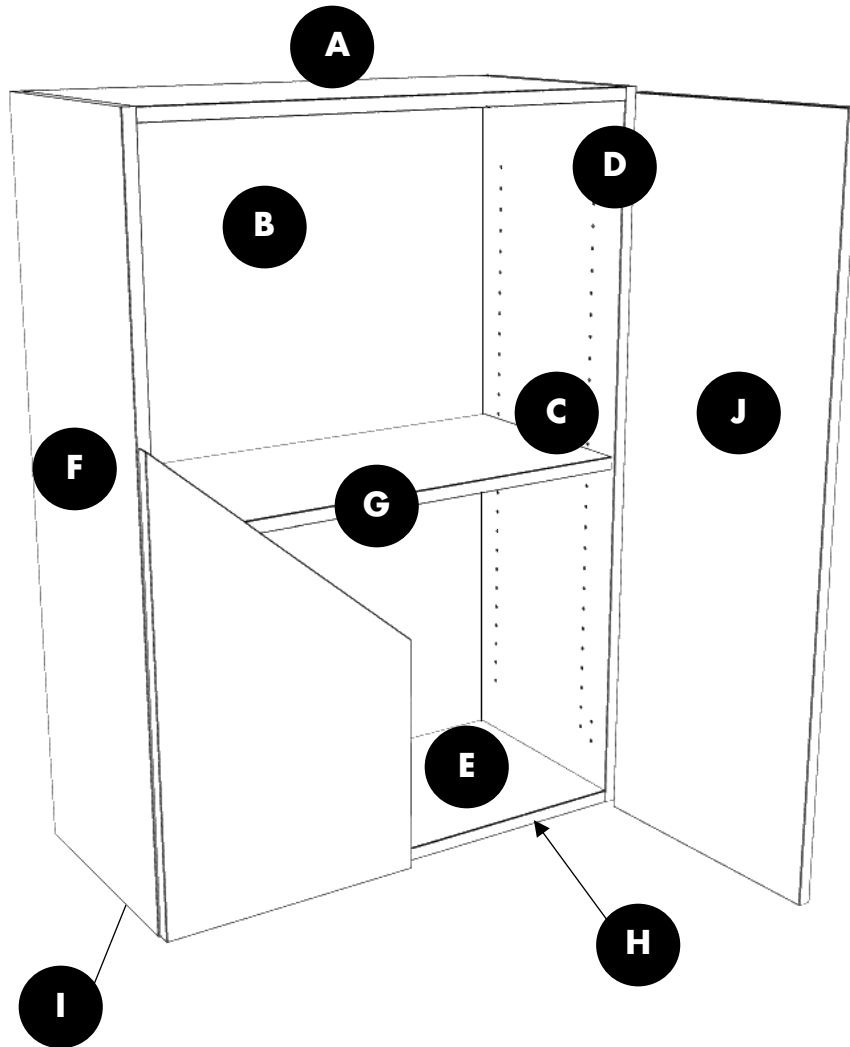


## PERSPECTIVE



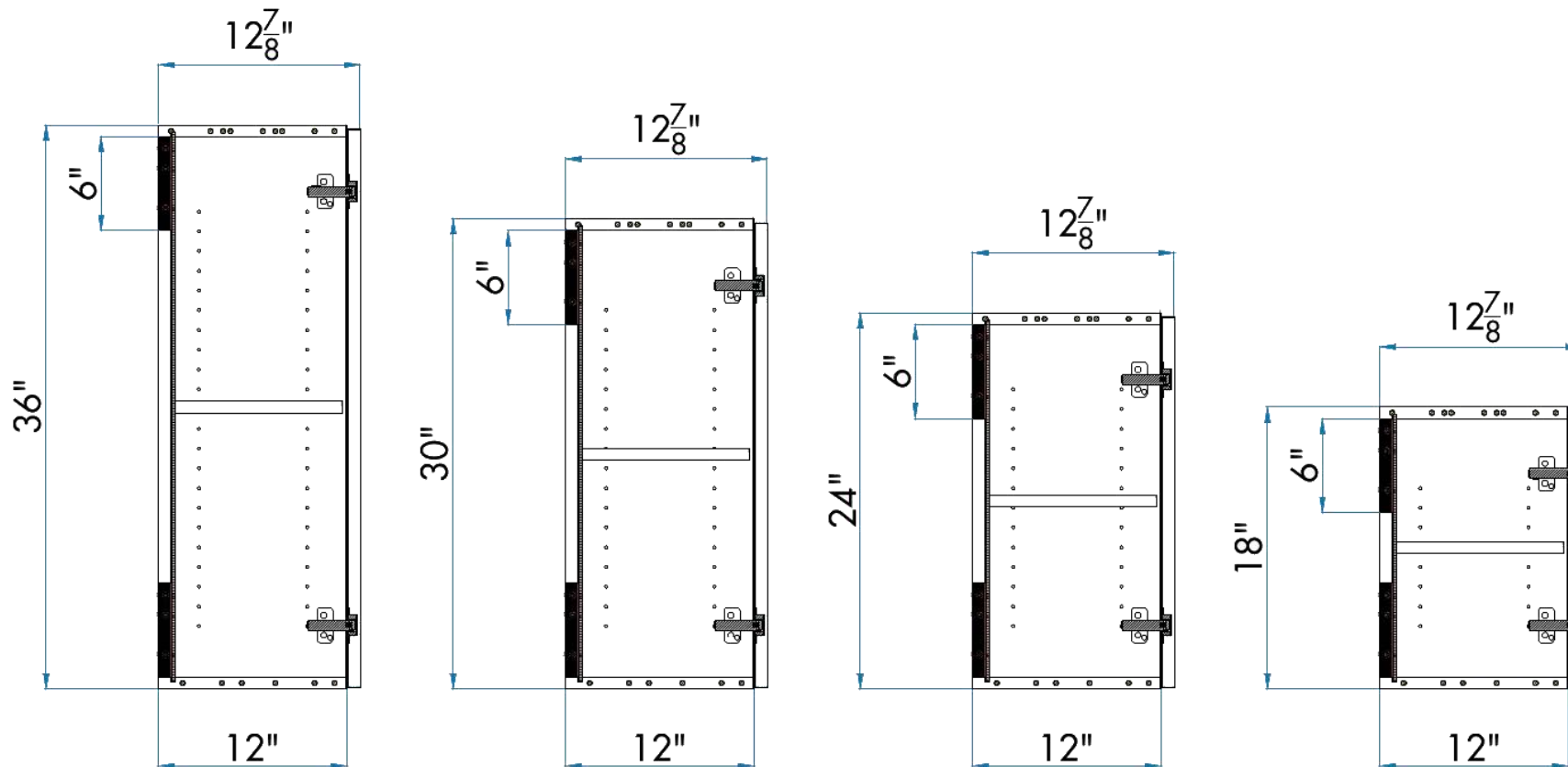


# FRAMELESS UPPER CABINET

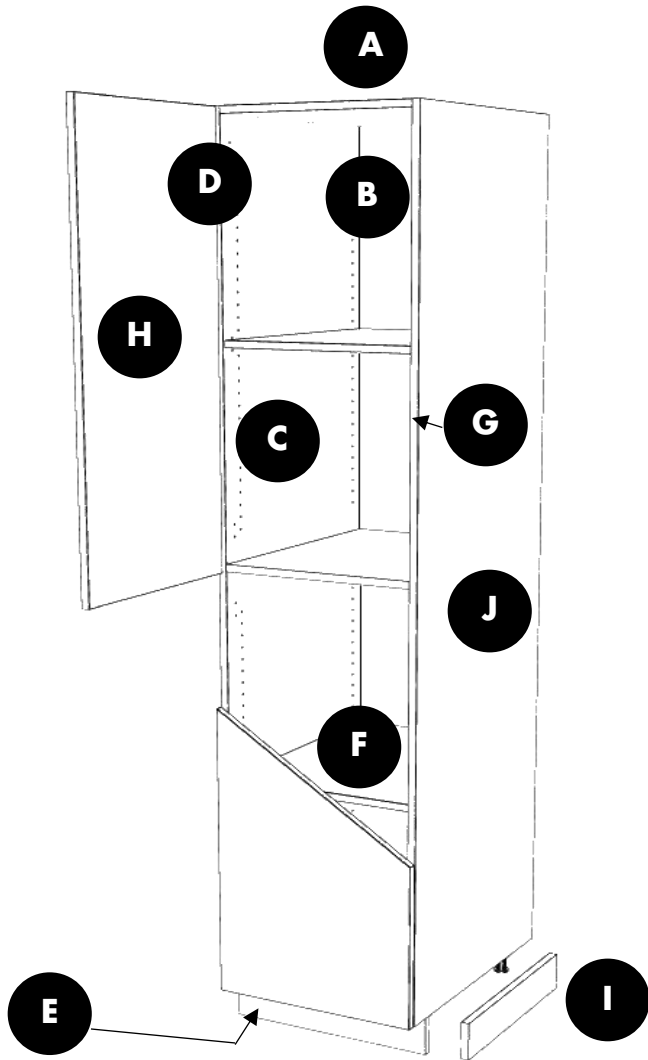


- A. 3/4" TOP PANEL
- B. 1/4" CAPTURED BACK
- C. SELF-LOCKING SHELF PINS
- D. 6-WAY ADJUSTABLE CLIP ON 110° HINGE OPENING
- E. 3/4" BOTTOM PANEL
- F. 3/4" INTEGRATED FINISHED SIDE PANEL
- G. 3/4" FULL DEPTH ADJUSTABLE SHELF
- H. 1MM PVC EDGE BANDING COORDINATED WITH EXTERIOR SURFACES
- I. WHITE MELAMINE STANDARD AT EXPOSED BOTTOMS
- J. BACK OF DOOR SURFACE DEPENDENT ON DOOR STYLE

# UPPER CABINET DIMENSIONS



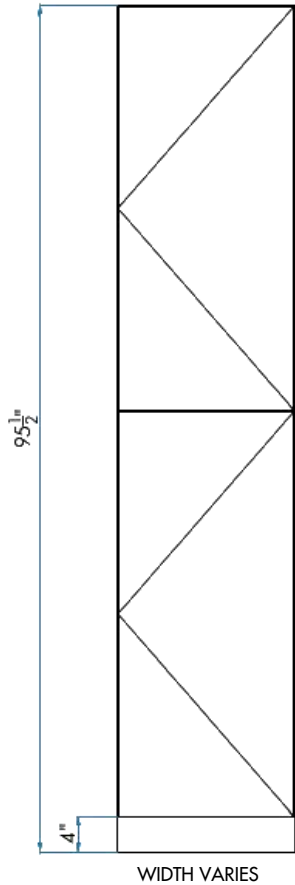
# FRAMELESS TALL CABINET



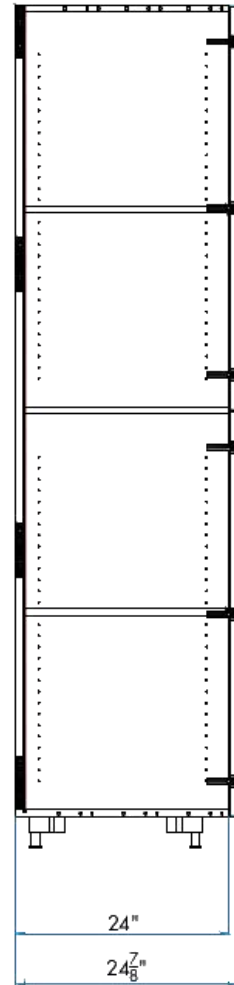
- A.  $\frac{3}{4}$ " TOP PANEL
- B.  $\frac{1}{4}$ " CAPTURED BACK
- C. SELF-LOCKING SHELF PINS
- D. 6-WAY ADJUSTABLE CLIP ON 110° HINGE OPENING
- E.  $\frac{3}{4}$ " BOTTOM PANEL
- F.  $\frac{3}{4}$ " FULL DEPTH ADJUSTABLE SHELVES
- G. 1MM PVC EDGE BANDING COORDINATED WITH EXTERIOR SURFACES
- H. BACK OF DOOR SURFACE DEPENDENT ON DOOR STYLE
- I.  $\frac{3}{4}$ " TOE KICK MATERIAL PROVIDED AT FINISHED ENDS
- J.  $\frac{3}{4}$ " INTEGRATED FINISHED END

# TALL CABINET DIMENSIONS

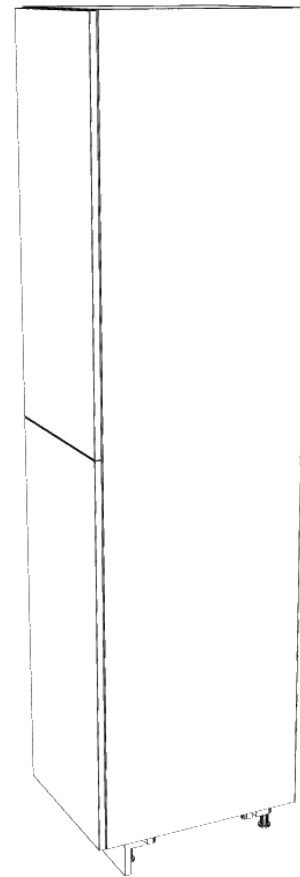
FRONT VIEW



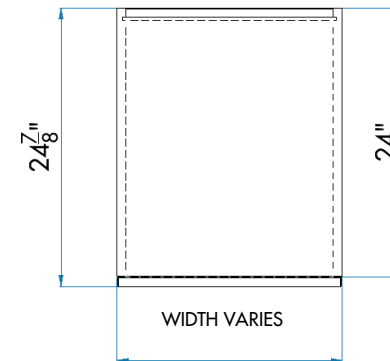
SECTION VIEW



PERSPECTIVE



TOP VIEW







6915 S 196<sup>th</sup> ST BLDG F | KENT WA 98032 | 253-395-9495 | SEATTLEPRODUCTSLLC.COM